

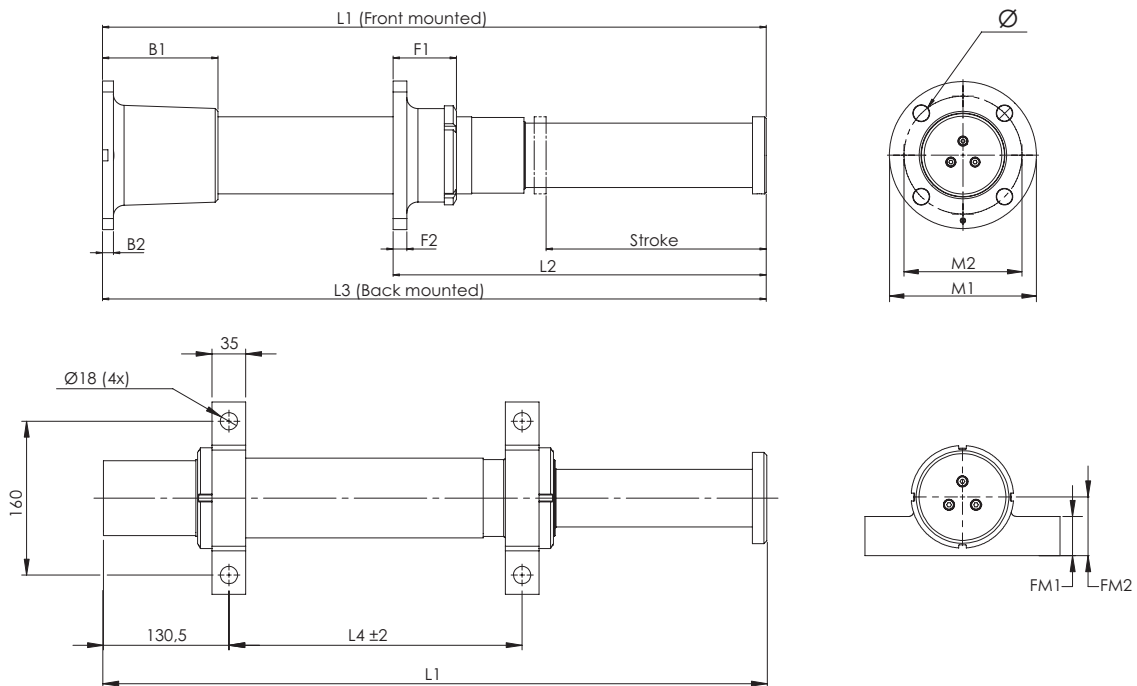
HYBUFF G-63 – GAS HYDRAULIC ENERGY ABSORBERS WITH FRONT, BACK OR FOOT MOUNTING

HYBUFF

G-SERIES

The HYBUFF G-series is developed for applications where an energy stop device is needed. The robust design gives good stiffness, suitable for higher forces. The buffer has a cylinder with oil and hollow piston rod containing the reservoir. The hollow rod contains

a floating piston, separating oil and gas. The damping force is achieved by a flow restriction regulated by the metering pin. The metering pin at the centre of the buffer regulates the flow area to be more restricted when the damper is being compressed. We are used to demanding customers so our HYBUFF G-series is supplied with adapted corrosion protection, either for industrial or marine environment.



MOUNTING TYPE

DD Denomination	Stroke mm	Max Force kN	Max energy Capacity kJ	Front Mounted L1 mm	L2 mm	BACK Ltot. L3 mm	Foot Mounted L1 mm	L4 mm	Cyl Ø mm	Mounting plate mm	Head Diameter mm	Unit Weight kg
G-63-50	50	200	8	300	150	310	-	-	83	168/135	95	~ 13
G-63-100	100	200	16	415	200	425	415	125	83	168/135	95	~ 15
G-63-150	150	200	24	550	250	560	550	210	83	168/135	95	~ 18
G-63-200	200	200	32	690	300	700	690	305	83	168/135	95	~ 20
G-63-300	300	200	48	970	400	980	970	480	83	168/135	95	~ 25
G-63-400	400	200	64	1255	500	1265	1255	670	83	168/135	95	~ 30

Front Mounted F1 mm	Front Mounted F2 mm	Back Mounted B1 mm	Back Mounted B2 mm	M1 mm	M2 mm	Ø mm	FM1 mm	FM2 mm
73	25	158	25	168	135	18	40	60

[More specifications](#)

MEMBER OF DELLNER INDUSTRIAL

Max ton	Metering Pin Denomination					
	50	100	150	200	300	400
1	60501	61001	61501	62001	63001	64001
2	60502	61002	61502	62002	63002	64002
3	60503	61003	61503	62003	63003	64003
4	60504	61004	61504	62004	63004	64004
5	60505	61005	61505	62005	63005	64005
8	60506	61006	61506	62006	63006	64006
10	60507	61007	61507	62007	63007	64007
20	60508	61008	61508	62008	63008	64008
30	60509	61009	61509	62009	63009	64009
40	60510	61010	61510	62010	63010	64010
50	60511	61011	61511	62011	63011	64011
60	60512	61012	61512	62012	63012	64012
70	60513	61013	61513	62013	63013	64013
80	60514	61014	61514	62014	63014	64014
100	60515	61015	61515	62015	63015	64015
150	60516	61016	61516	62016	63016	64016
200	60517	61017	61517	62017	63017	64017
250	60518	61018	61518	62018	63018	64018
350	60519	61019	61519	62019	63019	64019
400	60520	61020	61520	62020	63020	64020

Metering Pin Denomination System Position		
1:st digit	G-Series. E.g. G-63	6
2:nd-3:rd	Stroke length. E.g. 200 mm	20
4:th-5:th	Reference No. In the mass table. E.g. 80 tonnes	14
= Gives Pin No. 62014		

Bellow & Safety chain/wire denomination system	
Buffer with bellow	B
Buffer with safety wire	K
Buffer with safety wire & bellow	BK

STANDARD FOR HYBUFF G-SERIES:

- Paint, tested and passed 500 h NSS test (suitable for portside environment)
- Nickel plated
- End cap in stainless steel
- Temperature range -30°C to +70°C

ORDERING EXAMPLE

Buffer G-63, stroke 200 mm, Front mount, 40 tons metering pin, with bellow.

Type Number: [G-63-200F/62010B](#)

Buffer G-63, stroke 400 mm, Back mount, 100 tons metering pin, with bellow & safety wire.

Type Number: [G-63-400B/64015BK](#)

OPTIONAL FOR HYBUFF G-SERIES:

- Other stroke lengths upon request
- Buffers up to 1500 kN are available upon request
- Safety wire and bellows are optional
- Paint according to ISO EN 12944 C5M

We are certified according to ISO 9001, IRIS, ISO 14001 and welding certificate EN-15085.

(IRIS stands for International Railway Industry Standard. It is a globally recognized standard unique to the railway sector for the evaluation of management systems.)